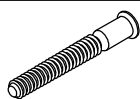
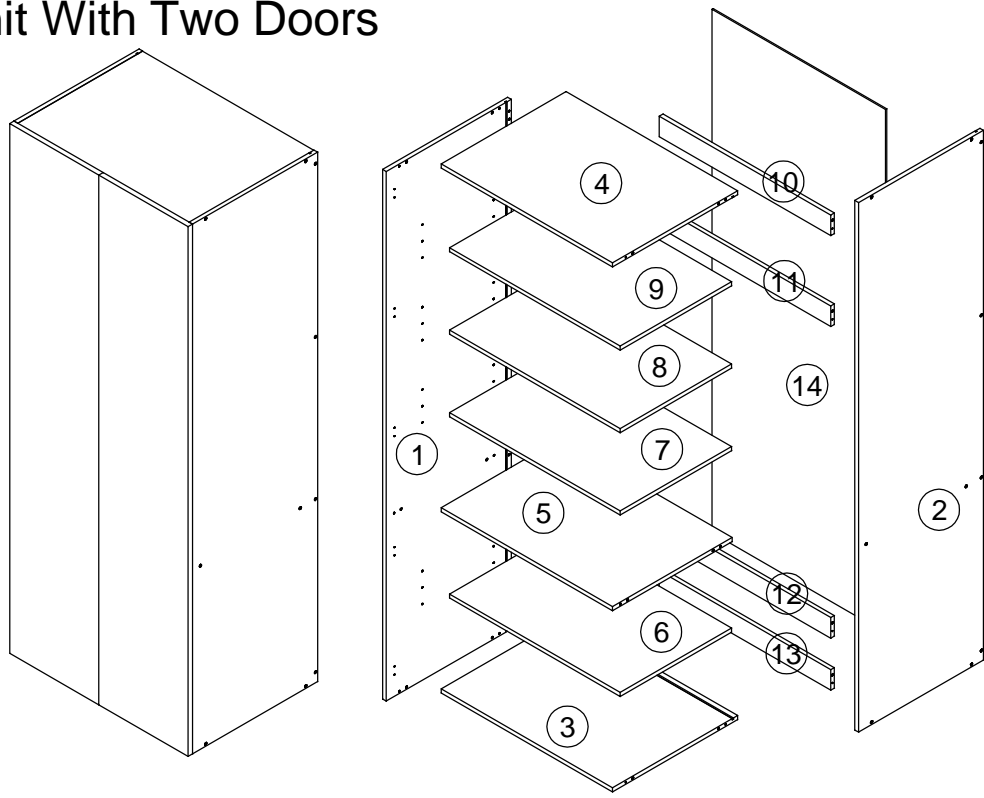
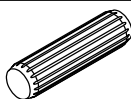


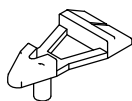
Pantry Unit With Two Doors



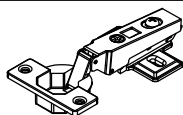
A:20pcs
φ7x48mm



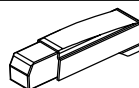
B:20pcs
φ8x40mm



C:16pcs



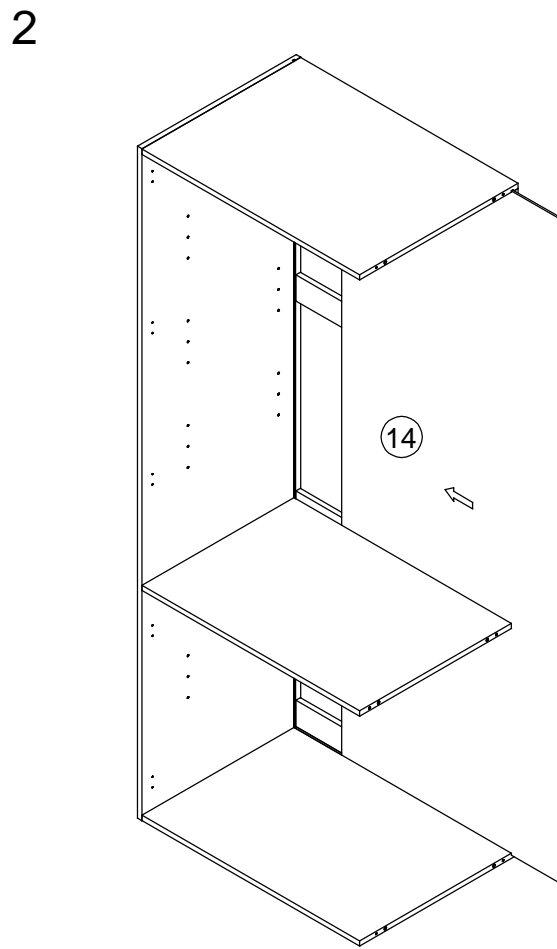
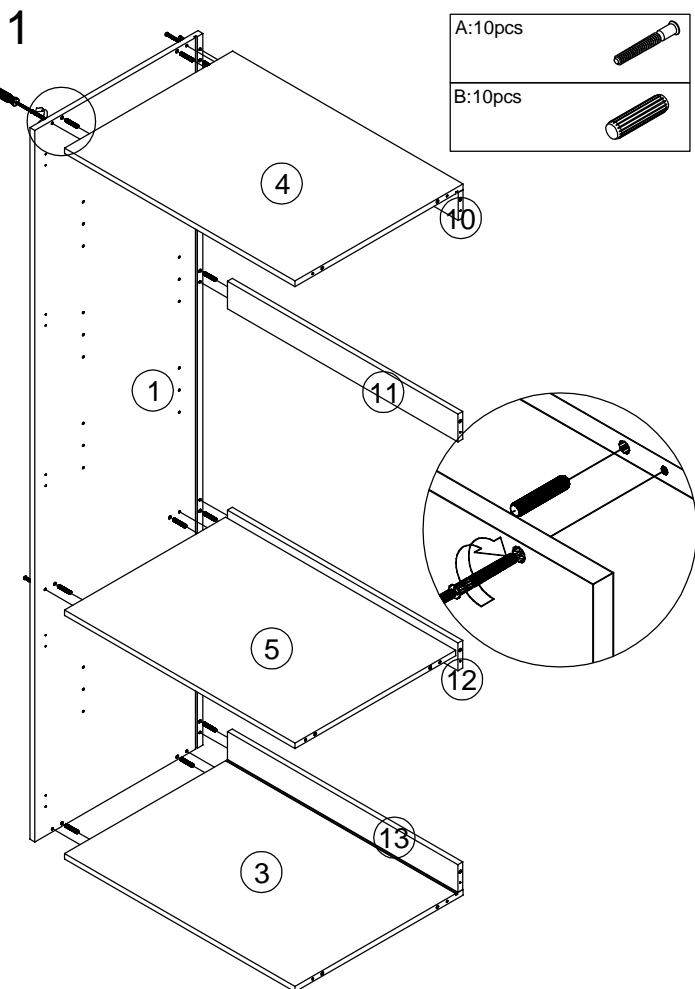
D:10pcs





E:4pcs

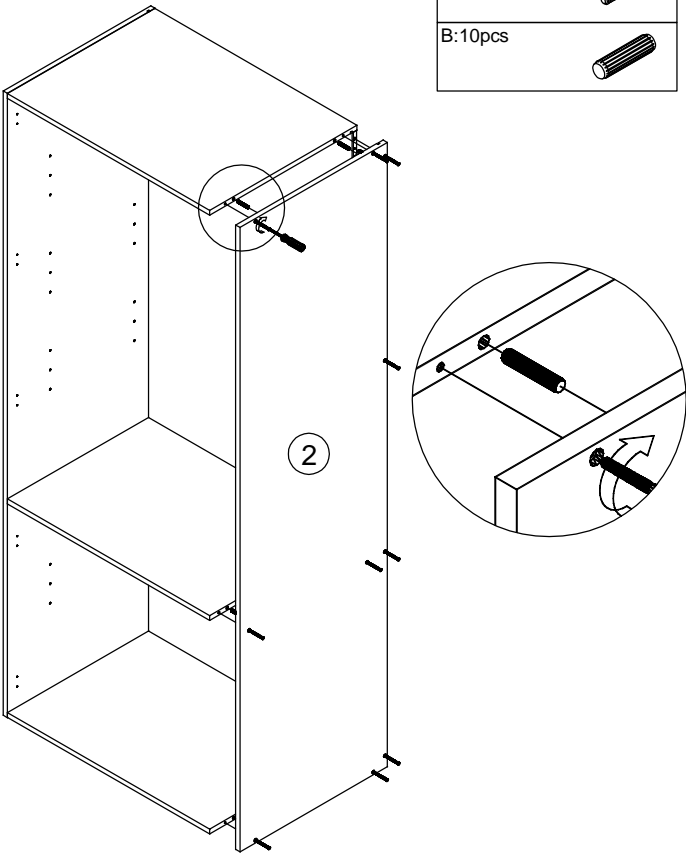


F:40pcs
φ4x16mm



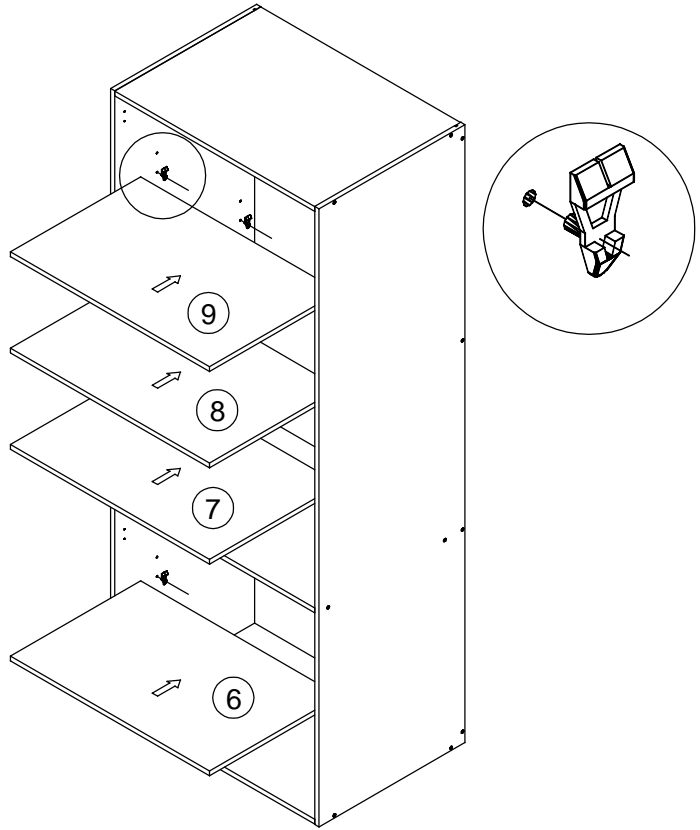
3

A:10pcs 
 B:10pcs 

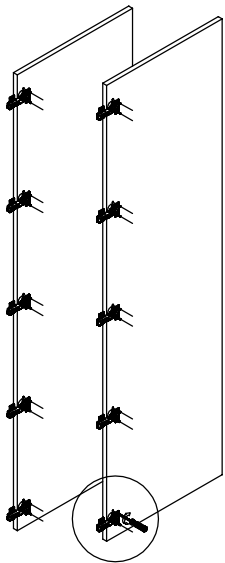
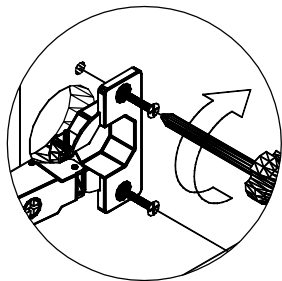




4

C:16pcs 

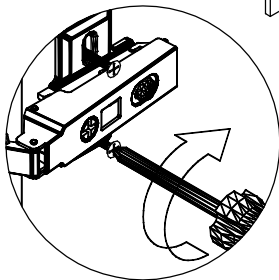
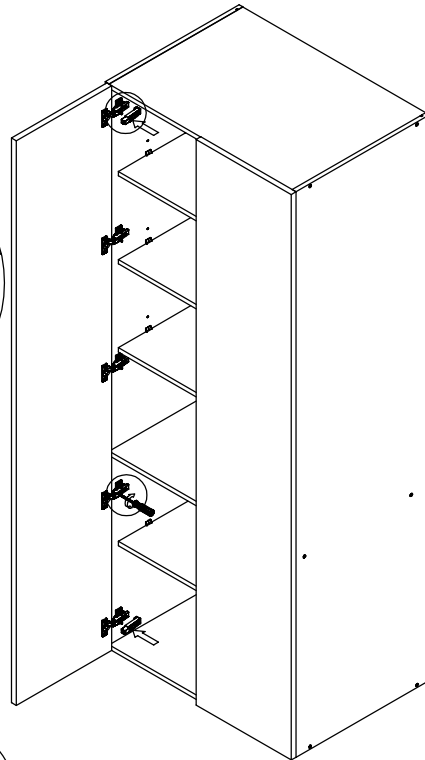
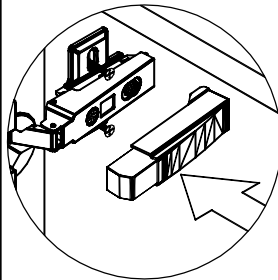




5

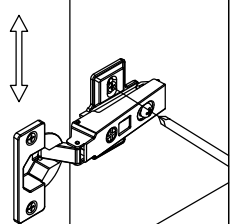
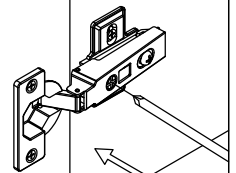
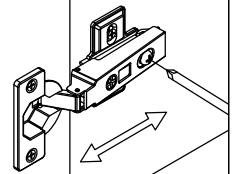


D:10pcs 
 F:20pcs 

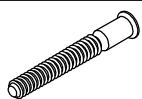
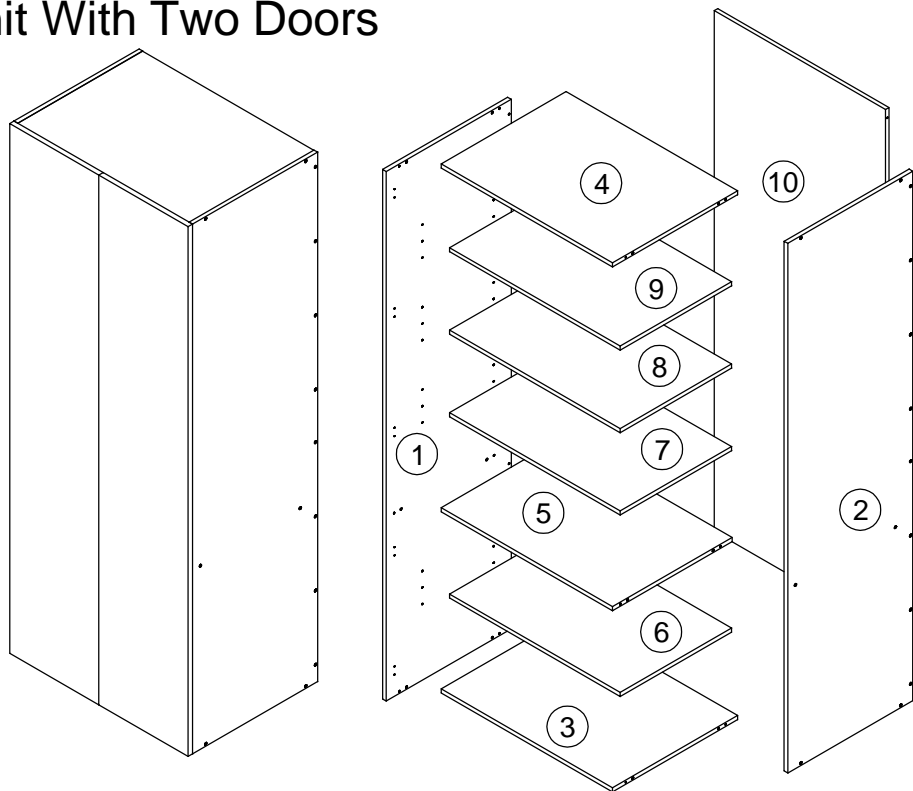
6



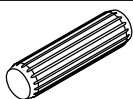
E:4pcs 
 F:20pcs 



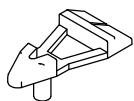
Pantry Unit With Two Doors



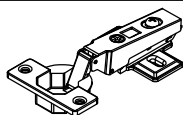
A: 28 pcs
 $\phi 7 \times 48 \text{ mm}$



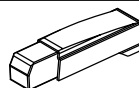
B: 12 pcs
 $\phi 8 \times 40 \text{ mm}$



C: 16 pcs



D: 10 pcs



E: 4 pcs



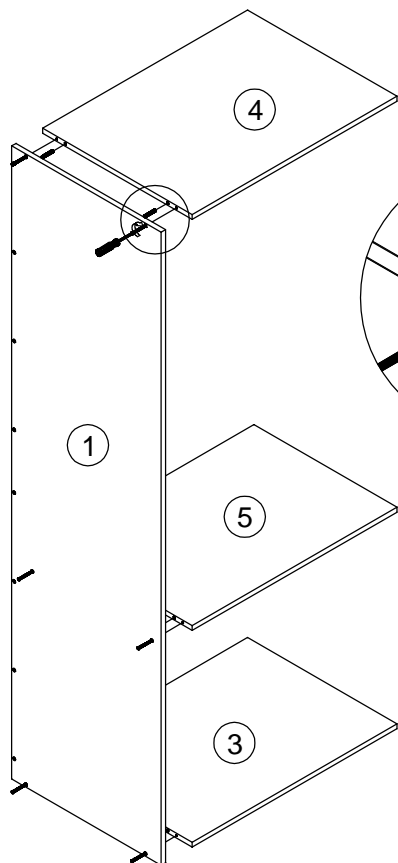
F: 40 pcs
 $\phi 4 \times 16 \text{ mm}$

1

A: 6 pcs

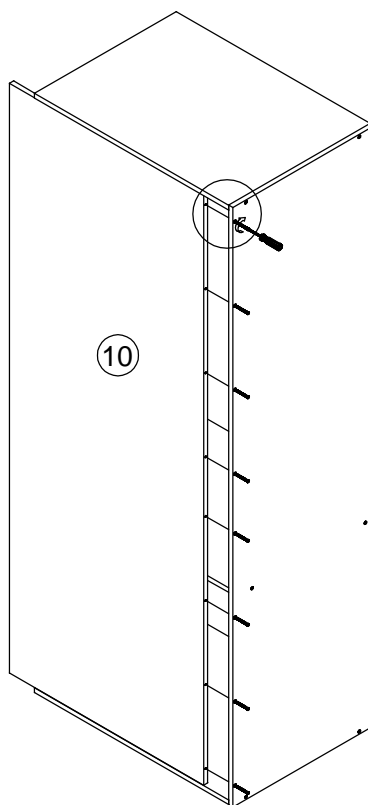


B: 6 pcs





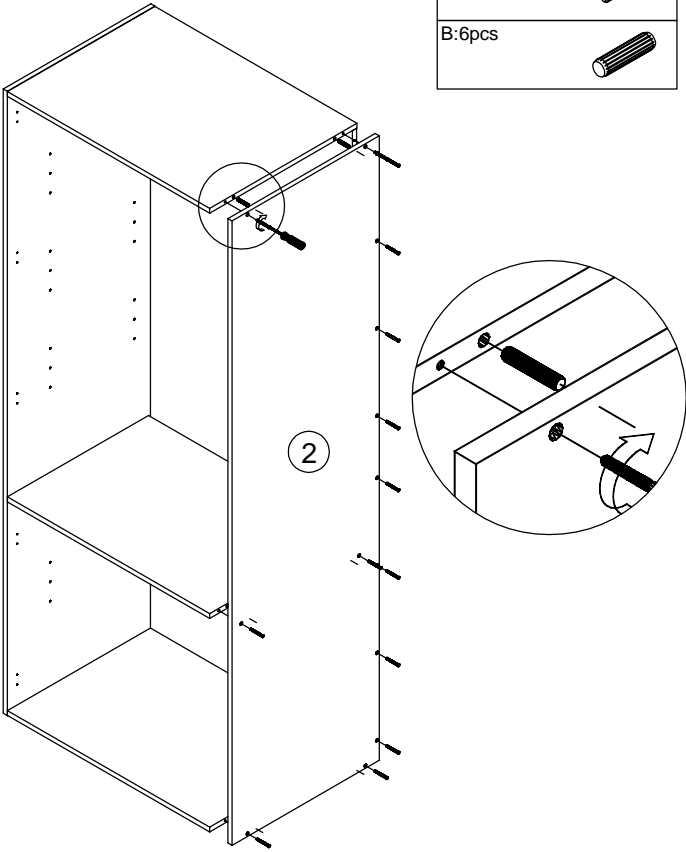
2

A: 8 pcs



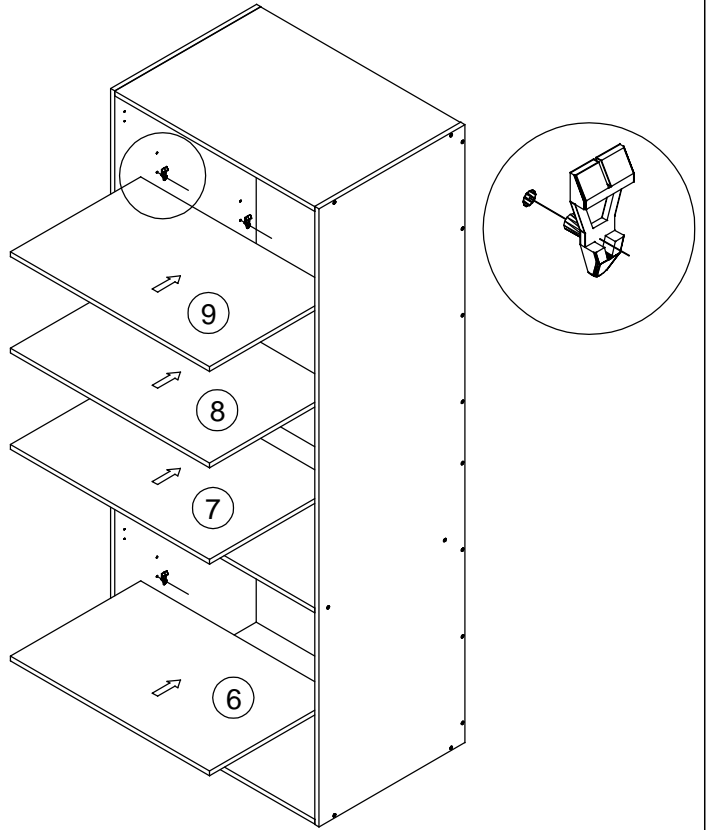
3

A: 14pcs 
 B: 6pcs 

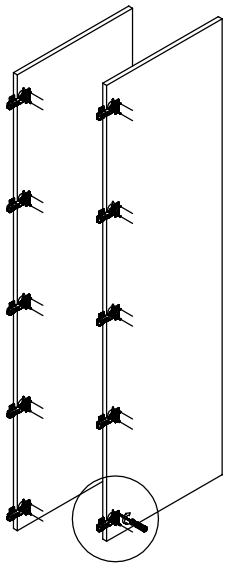
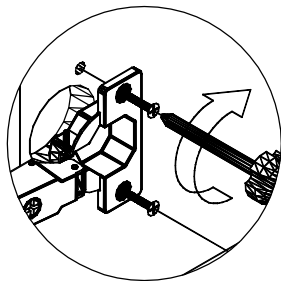




4

C: 16pcs 

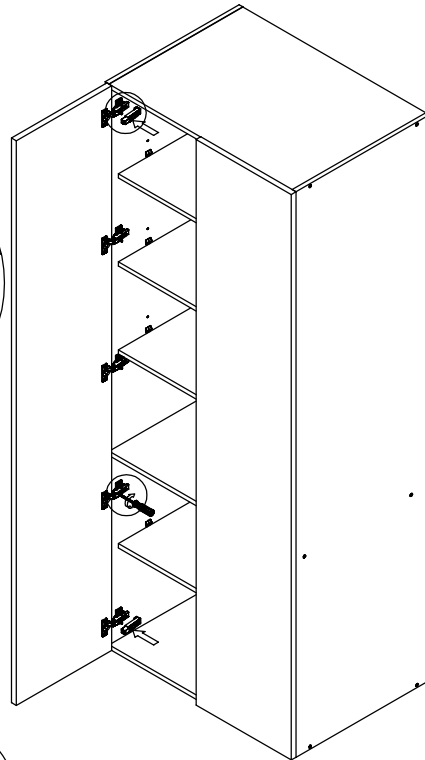
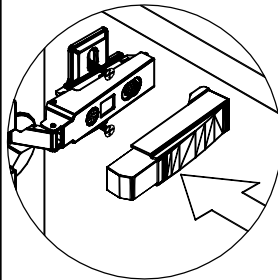



5



D: 10pcs 
 F: 20pcs 

6



E: 4pcs 
 F: 20pcs 